



COMMERCIAL AND INDUSTRIAL VENTILATION
REVERSIBLE CEILING FANS FOR
COMMERCIAL AND INDUSTRIAL APPLICATION

NEW

INDEX

COMMERCIAL AND INDUSTRIAL VENTILATION

- 04 **NORDIK® HEAVY DUTY RANGE**
Reversible heavy duty ceiling fans
- 08 **NORDIK® INTERNATIONAL PLUS**
Reversible ceiling fans IPX5

- 12 **ACCESSORIES**
Ceiling fans



ErP COMPLIANT

The ErP compliant logo indicates that the appliance is ecocompatible and adheres to the ErP directive 2009/125/CE.



The IMQ (Italian Mark Institute) mark certifies that the product is manufactured in compliance with the provisions of relevant established safety standards and directives.

CE MARKING

Commercial and Industrial ventilation appliances conform to the following European Directives:

- 2006/42/EC Machines Directive (MD)
- 2006/95/EC Low Voltage Directive (LVD)
- 2004/108/EC Electromagnetic Compatibility Directive (EMC)
- 2009/125/EC ErP Directive, Ecocompatible design of energy-related products in accordance with EU regulation 327/2011.

Safety:

EN 60335-1
EN 60335-2-80
EN 60529
EN 62233

EMC:

EN 55014-1
EN 55014-2
EN 61000-3-2
EN 61000-3-3

European Regulation N° 1275/2008/UE
European Regulation N° 206/2012.



NORDIK® HEAVY DUTY RANGE

Reversible heavy duty ceiling fans

PRODUCT SPECIFICATIONS



Appliances of the NORDIK HD range are reversible ceiling fans designed specifically for continuous use, even running at maximum speed.

- **8 models:** available in 4 sizes with 1200, 1400, 1600 and 2000 mm blades; versions with POWDER PAINTED FINISHING and STAINLESS STEEL .
- The geometry of the 3 blades, available in 4 different sizes and shaped to ensure superior torsional rigidity, guarantees high levels of performance (up to 22,000 m³/h with models 200 cm in size) combined with low noise emissions.
- POWDER PAINTED FINISHING models are characterized by blades of electrolytic zinc-coated steel, treated with an epoxy base coat and grey epoxy topcoat with hammered finish; cups are made of electrolytic zinc-coated steel, treated with an epoxy base coat and black epoxy topcoat with hammered finish.
- STAINLESS STEEL models differ from standard types in that they have blades made of 304 grade stainless steel with scotchbrite brushed finish; rods and cups are made of 304 grade stainless steel with scotchbrite brushed finish; motor cowls are epoxy powder coated in black with embossed finish.
- Impedence protected, class H, external rotor motor, equipped with impregnated stator windings and high silicon grade magnetic sheets melted in a high purity (99,9%) AC pack.
- Reversibility function: the direction of the air stream can be inverted from floor to ceiling, which has the effect of creating a less direct and more enveloping, fuller flow. In addition, an updraught improves the destratification of heat during winter, reducing the difference between temperatures at floor level (lowest) and at ceiling level (highest).
- The hanger consists of a special plate with 4 holes for tight and durable fastening, which can also be used to suspend the appliance from sloping ceilings.
- Supplied with steel hanging rod, length 290 cm.
- Stainless steel safety cable.
- Insulation class: Cl.I ⚡.

Compliant with the requirements of European Regulation n° 206/2012 and Machine Directive (MD) 2006/42/EC.





NORDIK®
HEAVY DUTY
RANGE



NORDIK HEAVY DUTY Powder Painted Finishing

- NORDIK HEAVY DUTY 120 code 61020
- NORDIK HEAVY DUTY 140 code 61021
- NORDIK HEAVY DUTY 160 code 61022
- NORDIK HEAVY DUTY 200 code 61023

OPERATING TEMP.
UP TO 50° C



NORDIK HEAVY DUTY INOX Stainless Steel

- NORDIK HEAVY DUTY 120 INOX code 61024
- NORDIK HEAVY DUTY 140 INOX code 61025
- NORDIK HEAVY DUTY 160 INOX code 61026
- NORDIK HEAVY DUTY 200 INOX code 61027

KEY FEATURES

- High operating temperature (up to 50 °C at maximum speed) facilitating use even in particularly severe environmental conditions, typical of some industrial processes.
- High resistance against dust and water (IP55) allowing, together with full compliance with Machinery Directive, use in industrial premises.
- Die-cast epoxy painted, motor covers, sealed with a EPDM gasket to prevent dust or water entry.
- High corrosion resistance allowing use in environments with high concentrations of corrosive agents (process industries, agricultural farms, greenhouses...)
- Particularly suitable for use in food or pharmaceutical sector (stainless steel models).
- Capability to operate as heat recovery units, especially when coupled with Vort Delta T Vortice's speed controller (available as optional ancillary), allowing automatic speed adjustment of up to 16 ceiling fans according to different temperatures between floor and ceiling.



NORDIK® HEAVY DUTY RANGE

Reversible heavy duty ceiling fans

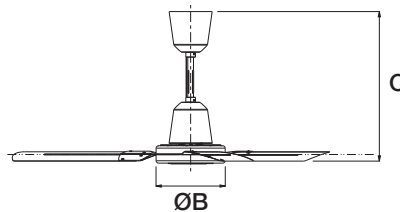
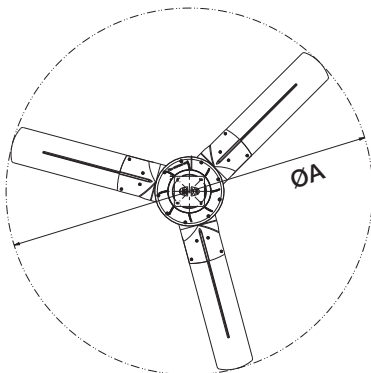
TECHNICAL DATA

Models	Code	Color	V	Hz	W	A	RPM	Blades	Max Airflow m³/h	IP motor	Kg				
NORDIK HEAVY DUTY 120	61020	Powder painted finishing	230	50	80	0.35	233	3	14050	55	7.3				
NORDIK HEAVY DUTY 140	61021						236		16000		7.7				
NORDIK HEAVY DUTY 160	61022				85	0.37	210		19300		8.2				
NORDIK HEAVY DUTY 200	61023						186		22050		9.1				
NORDIK HEAVY DUTY 120 INOX	61024	Stainless Steel			230	50	80		0.35		233	3	14050	55	7.3
NORDIK HEAVY DUTY 140 INOX	61025										236		16000		7.7
NORDIK HEAVY DUTY 160 INOX	61026						85		0.37		210		19300		8.2
NORDIK HEAVY DUTY 200 INOX	61027										186		22050		9.1

NORDIK® HD RANGE | TECHNICAL DATA ACCORDING TO 206/2012 UE REGULATION

	Reference parameter	Unit of measurement	HD 120	HD 140	HD 160	HD 200	HD 120 INOX	HD 140 INOX	HD 160 INOX	HD 200 INOX
			cod.1020	cod. 61021	cod. 61022	cod. 61023	cod. 61024	cod. 61025	cod. 61026	cod. 61027
Maximum airflow	F	m³/min	234.00	266.60	321.60	367.50	234.00	266.60	321.60	367.50
Power consumption of the fan	P	W	80	80	85	85	80	80	85	85
Operating values	SV	(m³/min)W	2.925	3.332	3.780	4.320	2.925	3.332	3.780	4.320
Sound power level	LWA	dB(A)	51.8	55.4	55.6	56.4	51.8	55.4	55.6	56.4
Air speed	C	m/sec	1.54	1.35	1.20	1.46	1.54	1.35	1.20	1.46
Measurement standards for operating	IEC 60879; EN62301: UNI EN ISO 3741									

DIMENSIONS



Models	ØA	ØB	C
HD 120	1218	230	495
HD 140	1422		
HD 160	1524		
HD 200	2000		

Dimensions (mm)



NORDIK®
HEAVY DUTY
RANGE

APPLICATIONS



NORDIK® INTERNATIONAL PLUS

Reversible ceiling fans IPX5

PRODUCT SPECIFICATIONS



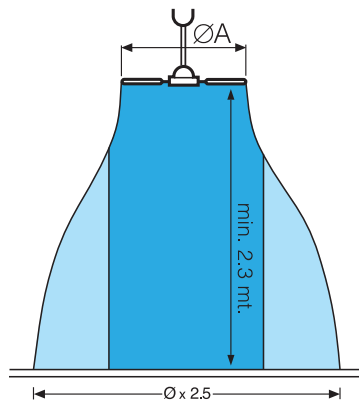
Appliances of the NORDIK HD range are reversible ceiling fans designed specifically for continuous use, even running at maximum speed.

- Nominal diameter of blades 1400 mm.
- Top and bottom motor covers moulded from heat-resistant and UV-resistant thermoplastic resin (ABS), colour white.
- Wiring connections at end of ceiling rod concealed by domes moulded from impact- and UV-resistant PP, colour white.
- Single phase start capacitor motor with external rotor, and shaft turning in ball bearings. Direction of rotation reversible.
- Maximum air flow: 13500 m³/h.
- 3 sheet steel blades powder coated with scratch-resistant polyester, colour white.
- Steel ceiling rod with polyester powder coated finish, colour white, length 375 mm.
- Bag of accessories containing nuts and bolts required for assembly of blades, ceiling hook and rubber anti-vibration washer.
- Factory-prepared to accept Light Kit (optional), suitable for lamp rated 150W. max with E27 screw fitting, or equivalent energy-saving lamp with E27 screw fitting.
- Speed selectable by way of control units (optional).
- Insulation class: Cl.I ⊕.

Reverse function:

It allows to reverse the air flow direction from floor to ceiling: this means that the flow is no longer direct, but wider and more all-round. It also help reducing the difference in temperature between the floor (where the temperature is lower) and the ceiling (where it is in winter time).

Compliant with the requirements of European Regulation n° 206/2012 and Machine Directive (MD) 2006/42/EC.





NORDIK®
INTERNATIONAL
PLUS RANGE



KEY FEATURES

- Low speed motor for high efficiency and noiseless operation.
- The 1400 mm diameter version is especially suitable for recirculating hot air that tends to stratify high up in industrial sheds and warehouses, consequently reducing the demand for heating energy and saving on fuel bills.
- Versions with enclosure rating IPX5 allow installation where there may be a need to use powerful water jets.
- Attractive appearance designed to favour installation in any interior: residential, commercial, industrial.
- High ventilation performance tested in a special booth, in accordance with IEC 60879 standard on electric circulating fans.
- Especially suitable for night-time operation in bedrooms, by virtue of fan blades with a profile designed to ensure low noise levels and high efficiency even at low speeds.



NORDIK® INTERNATIONAL PLUS

Reversible ceiling fans IPX5

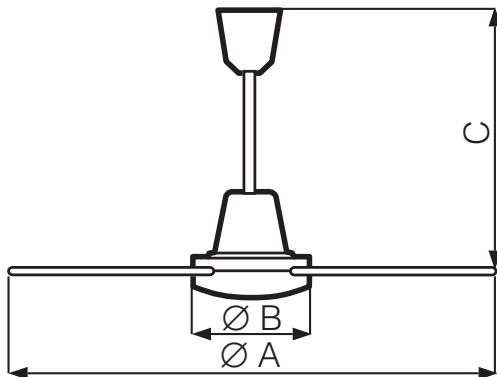
TECHNICAL DATA

Models	Code	Color	V	Hz	W	A	RPM	Blades	Max Airflow m ³ /h	Kg
NORDIK INTERNATIONAL PLUS 140/56"	61742	white	220-240	50	70	0.33	231	3	13500	9.1

NORDIK® INTERNATIONAL PLUS | TECHNICAL DATA ACCORDING TO 206/2012 UE REGULATION

	Reference parameter	Unit of measurement	NORDIK INTERNATIONAL PLUS 140/56"
			cod. 61027
Maximum airflow	F	m ³ /min	367.50
Power consumption of the fan	P	W	85
Operating values	SV	(m ³ /min)W	4.320
Sound power level	LWA	dB(A)	56.4
Air speed	C	m/sec	1.46
Measurement standards for operating	IEC 60879; EN62301: UNI EN ISO 3741		

DIMENSIONS



Models	ØA	ØB	C
NORDIK INTERNATIONAL PLUS 140/56"	1422	230	495

Dimensions (mm)



NORDIK®
HEAVY DUTY
RANGE

APPLICATIONS



ACCESSORIES

Ceiling fans

ACCESSORIES ON REQUEST

VORT DELTA T (Cod. 13039)

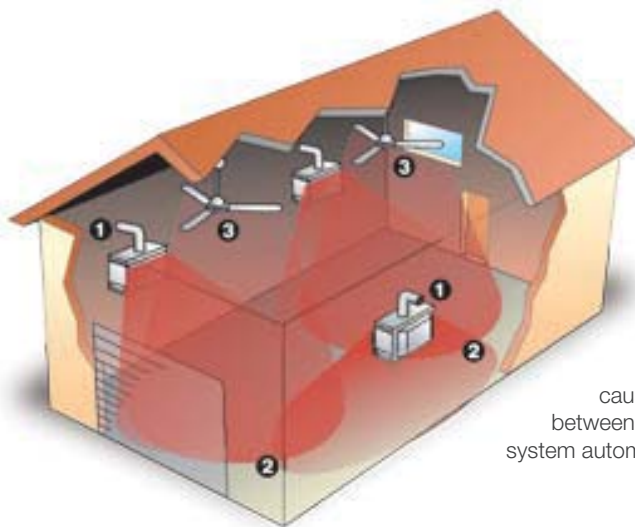
Multiple speed controller
up to 16 ceiling fans

*The intelligent control system. Simply clever:
Intelligent management ensures optimal,
draughtfree operation Vort Delta T - the heart
of the System.*

- The new, intelligent control unit Vort Delta T is equipped with two semiconductor temperature sensors (included in the package), installed respectively at ceiling and floor level.
- Electrical power is with a normal two-phase cable, of up to 50 metres in length.
- The control unit registers the temperature at ceiling and floor level up to 60 times per minute, calculates the temperature differential and in accordance with this, regulates the operating speed of the fans. When the heat layer has been dissipated and the temperature differential has been reduced to an acceptable level, the Vort Delta T automatically switches the fans off.
- The minimal temperature differential, at which level the unit is activated, is adjustable, as are the lower and higher rotational fan speeds so as to avoid draughts. This also applies to permanent operation (e.g. during summer for cooling).
- This fully automatic control system governs the system optimally, without necessitating adjustment by the users. In this manner, unauthorised meddling with the system is impossible.



VORT DELTA T - code 13039



- 1 The commercial building has a warm air heating system.
- 2 With the aid of adjustable laminar blades, the warm air is directed downwards in the recreation or working area.
- 3 Due to the fact that warm air has a lower specific weight than cold air, the warm air rises to ceiling height and accumulates there. The sensor controls registers the increasing temperature difference between the floor and ceiling. The Nordik fans are controlled so that the warm air from the ceiling is conducted back into the recreating or working area without causing a draught. As soon as the temperature difference between the ground and ceiling areas is in equilibrium, the Vort Delta T system automatically switches the fans off.

ACCESSORIES ON REQUEST

SCRR5 (Cod. 12963)

 Speed controller
for ceiling-mounted fans


- 5 position reversible speed controller for ceiling-mounted fans.
- Convertible to flush-mounted using SCBRR5/5L/M (cod. 22498).
- 220-240 V ~ 50 Hz.
- Maximum load: 100 W.
- Double insulation.

SCRR/M (Cod. 12964)

 Speed controller
for ceiling-mounted fans


- 5 position reversible speed controller for ceiling-mounted fans.
- Convertible to flush-mounted using SCBRR5/5L/M (cod. 22498).
- 220-240 V ~ 50 Hz.
- Maximum load: 250 W (2.5 A).
- Double insulation.

SCRR/M (Cod. 12965)

 Speed controller
for ceiling-mounted fans


- Electronic, reversible speed controller for use with up to 6 ceiling-mounted fans.
- Convertible to flush-mounted using SCBRR5/5L/M (cod. 22498).
- 220-240 V ~ 50 Hz.
- Maximum load: 450 W (2.5 A).
- Double insulation.

CEILING RODS

 Various lengths to enable
installation at desired
height.


Models	Colours	L rod = mm									
		200	250	290	350	500	665	750	915	1000	
Nordik Heavy Duty	Powder Painted Finishing	-	-	22717	-	-	22718	-	22719	-	
Nordik Heavy Duty	Stainless Steel	-	-	22721	-	-	22722	-	22723	-	
Nordik Evolution Plus	White	22032	22033	-	22042	22051	-	22074	-	22077	

**KIT SCBRR5/5L/M BUILT-IN
(Cod. 22498)**

 Kit to convert SCRR5 and
SCRR/M controllers from
surface to flush-mounted.


Vortice replaces the air,
heats it, recovers the heat,
moves it, **cools** the air,
dehumidifies it, purifies it, dries it.



Air is Life



vortice.com

follow us on:



Predstavništvo za Srbiju
AIRTREND Ltd.
Kumanovska 14
11000 Beograd, Srbija
Telefon +381 (0)11 383 6886, 308 5740
Telefax +381 (0)11 344 4113
E-mail gobrid@eunet.rs
www.airtrend.rs

Distribucija i prodaja
KOVENT
Kumanovska 14
Tel: 011 383 6886, 308 5740
Fax: 011 344 4113
E-mail office@kovent.rs
www.kovent.rs

